

Automatic sensor hand dryer

- Hand dryer powered by electronic sensor.
- White finished steel cover.
- Sturdy and vandal proof.
- Not edges at all for ensure a safety use.
- Suitable for collectivities and designed for high traffic bathroom and continuous use.
- According to the LVD and EMC Directives and current European Standards.



TECHNICAL DATA

- Voltage/Frequency: 220-240 V - 50/60 Hz.
- Maximum consumption 6.5 A.
- Total power 1500 W.
- Electrical resistance power: 1400 W.
- Ni-Cr heating element wire. Ceramic support .
- Motor power: 100 W.
- Electrical isolation: Class II.
- Protection index: IP21.
- Universal motor without brushes (maintenance not needed).
- Motor speed 2800 r.p.m.
- Overheating resistance thermostat (automatic rearmament).
- Thermal fuse double security adjusted to 100°C.
- The appliance is delivered without plug and plug cord.

- White finished steel cover manufactured in one piece (thickness=1,2 mm).
- Protection grid made in polycarbonate. Fire-resistant ABS V0 plastic evolute.
- Wall fixation by 3 drills (Ø 8 mm). Fixing material included.

- Electronic Infrared sensor that stops the function when the hands leave the active range.
- Sensor distance: from 8 to 50cm
- Air temperature (room temperature de 21°C): 51°C.
- Air flow 2300 l/min (138 m³/h) speed 65 Km/h.
- Noise level (from 2 meters): 60 dB.

- Total dimensions: 323 high x 253 width x 152 depth (mm).
- Individual packaging dimensions: 360x300x190 mm.
- Net weigh: 3,4 kg.

- Function: place your hands under the appliance. The dryer will start automatically and it continues working while the hands are within the active range. The device switches off after a few seconds of removal.

- Cleaning: we recommend cleaning with a cotton cloth slightly moistened with a soap solution. Then dry it.

SUGGESTED TEXT FOR PRESCRIPTION

Hand dryer with white finished steel cover (thickness=1,2 mm). Total power 1500 W. Motor speed 2800 r.p.m. Dimensions: 323 high x 253 width x 152 depth (mm).



Related Products



01451.S

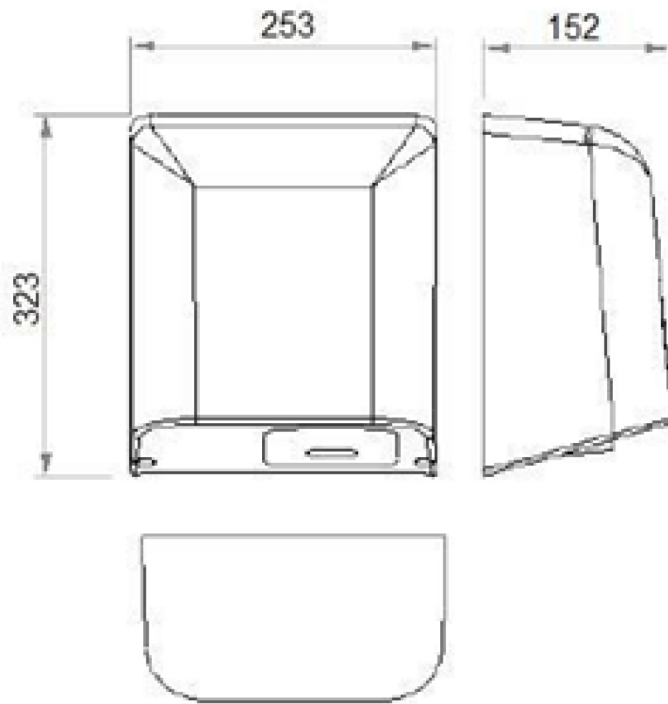


01451.B



01461.W

TECHNICAL DRAWING



Dimensions in mm.

INSTALLATION

In toilet areas with a high frequency use, the recommendation is to install one hand dryer for each toilet. In toilet areas with a lower frequency of use, the recommendation is to install one hand dryer for every two sinks or two dryers for every three washbasins. Installation should be as shown in fig-0. In case of installation on marble or shiny surfaces, it should be located 40 cm above the surface.

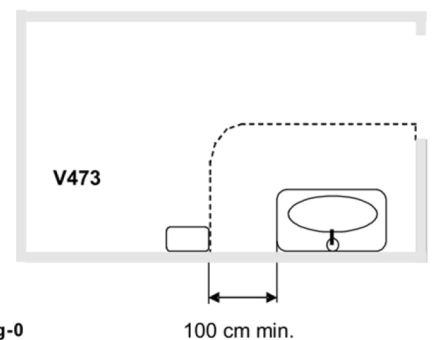
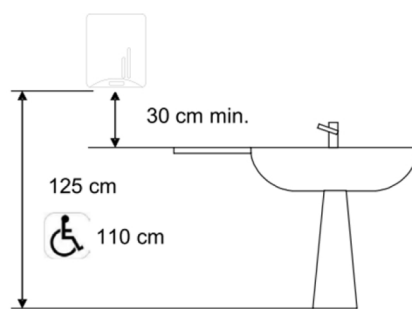
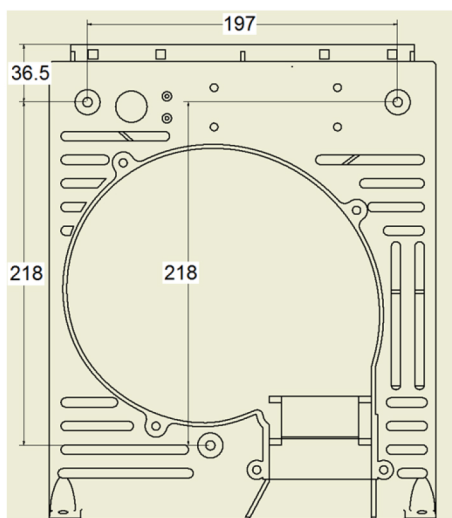


fig-0

