

**Electronic ultrafast stainless steel hand dryer**

- Automatic hand dryer with electronic sensor
- Satin finished stainless steel casing.
- Sturdy, vandal proof and secure: not edges at all for ensure a safety use.
- Suitable for colectivities and high traffic places.
- Ultrafast drying: 0 – 12 seconds.
- Conform the european directives (CE).

**TECHNICAL DATA**

- Casing made of one piece satin finished AISI 304 stainless steel (e =1,2 mm)
- Wall fixation with 4 drills (drill bit Ø 8 mm). Fixing materials included.
- Electronic infrared sensor that stops the hand dryer when the hands leave the active range.
- Air temperature (environnement 21° C): 40° C.
- Brushless universal motor (without maintenance).
- Motor speed: 35000 r.p.m.
- Air flow 2660 l/min (160 m³/h). Air speed: 305 Km/h.
- Total power 800 W.
- Motor power: 800 W.
- Voltage/Frequence: 220-240 V - 50/60 Hz.
- Electric insulation: Class I.
- Adjustable sensor: 1-35 cm .
- Consumption: 3,5 A.
- Noise level (at 2 meters): 72 dBA.
- Protection rating against water projections: IPX1.
- Dimensions: 324 high x 253 width x 156 depth mm.
- Net weight: 4,9 kg.
- Function: place your hands under the appliance. The dryer will start automatically and it continues working while the hands are within the active range. The device switches off after a few seconds of removal.
- Cleaning: we recommend cleaning with a cotton cloth slightly moistened with a soap solution. Then dry it.

**SUGGESTED TEXT FOR PRESCRIPTION**

"FUGA" hand dryer ith satin finished AISI 304 stainless steel casing (e=1,2 mm). Total power 800 W. Motor speed 35000 r.p.m. Dimensions: 324 high x 253 width x 156 depth mm.



Related Products



01851.W

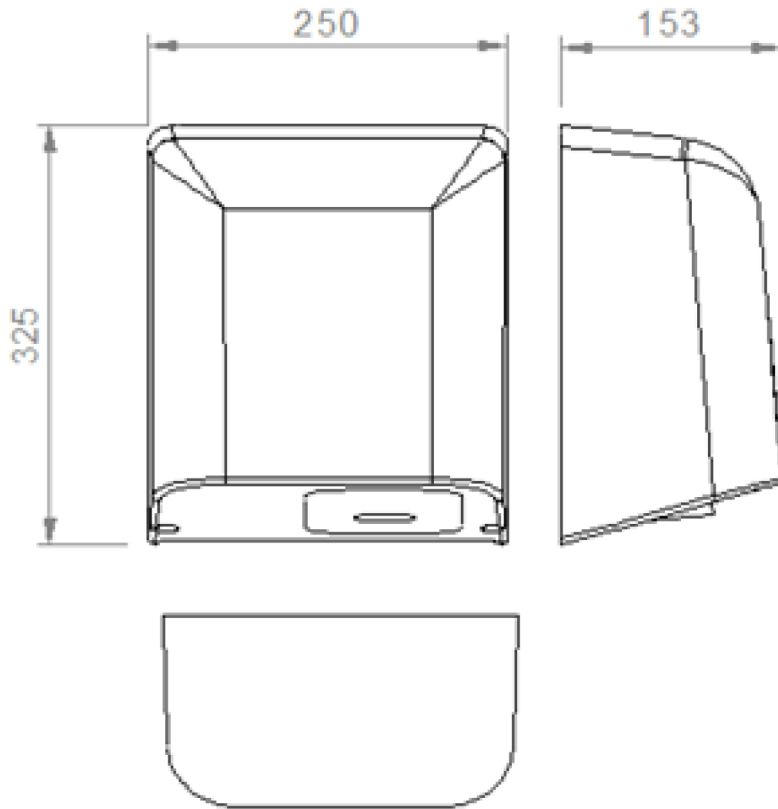


01861.W



01851.B

TECHNICAL DRAWING



Dimensions in mm.

INSTALLATION

In toilet areas with a high frequency use, the recommendation is to install one hand dryer for each toilet. In toilet areas with a lower frequency of use, the recommendation is to install one hand dryer for every two sinks or two dryers for every three washbasins. Installation should be as shown in fig-0. In case of installation on marble or shiny surfaces, it should be located 40 cm above the surface.

