

Stainless Steel Soap Dispenser

- Vertical liquid soap dispenser for hang on wall.
- Pushing button.
- Designed for high traffic people use, specially public bathrooms.
- Anti vandal and strong.
- Bright Polish finish and available in satin finish (03001.S)



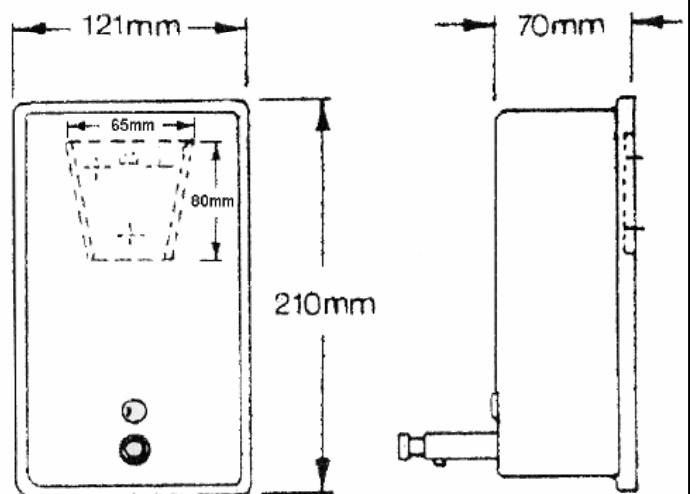
TECHNICAL DATA

- Made in Stainless Steel AISI 304, 1 mm thickness, and one only piece.
- In the upper part is located the refilling door which opens with an special anti vandal key.
- Assembling: 3 assembling points completely hided .
- Delivered with an special key and 5 mm screws
- Brass chromed pushing button
- Anti vandal polycarbonate soap level viewer
- ABS chromed valve.
- Dimensions: 210 mm x 121 mm x 70 mm.
- Maximum dimensions: 210 mm x 121 mm x 130 mm.
- Weight (empty): 0,7 Kg.
- Recommended distance to install from counter: 120 – 200 mm.
- Capacity: 1,2 liters
- Designed for all kind of soaps (except surgical).
- Maintenance: Stainless Steel requires maintenance, after some time dust may damage the stainless steel chrome. We recommend a regular clearing with an specific stainless steel cleaner that we can provide to you

SUGGESTED TEXT FOR PRESCRIPTION

VELTIA soap dispenser code 3001 or similar made in Stainless Steel AISI 304. Dimensions: 210 mm high x 121 mm wide x 70 mm deep..

TECHNICAL DRAWING



Related Products



03002.W



03104



03025



03020



03101



03201.S