

Soap Dispenser

- Vertical liquid soap dispenser for hang on wall.
- Pushing button.
- Specially designed for public areas.
- Strong, vandal proof and built without cutting edges.
- SSatin finish. Also available in white finish (VELTIA 03001.W) and polished finish (VELTIA 03001.B).



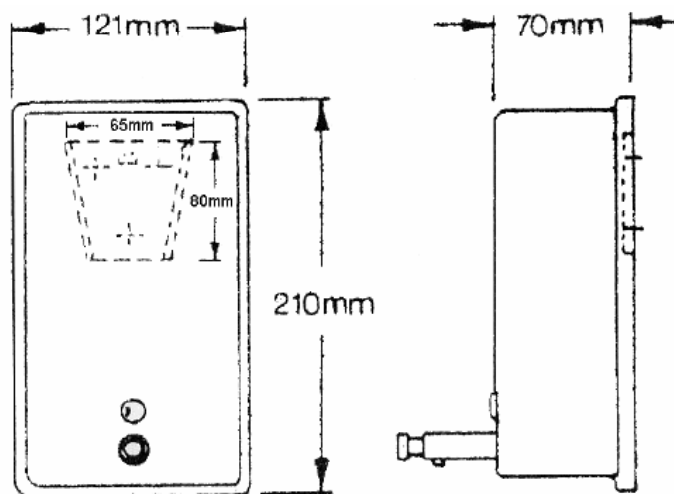
TECHNICAL DATA

- Made in AISI 304 stainless steel AISI 304, 1 mm thickness, in one piece.
- In the upper part is located the refilling door which opens with an special anti vandal key.
- Assembling: 3 assembling points completely hidden.
- Delivered with an special key and 3 mm screws.
- Brass chromed pushing button
- Anti vandal polycarbonate soap level viewer.
- ABS chromed valve.
- Dimensions: 210 high x 121 wide x 70 deep mm.
- Maximum dimensions (with valve): 210 high x 121 wide x 130 deep mm.
- Weight (empty): 0,7 Kg.
- Recommended distance to install from counter: 120 – 200 mm.
- Capacity: 1,2 liters
- Designed for all kind of soaps (except chirurgical).
- Maintenance: stainless steel requires maintenance, after some time dust may damage the stainless steel chrome. We recommend a regular clearing with an specific stainless steel cleaner provided by VELTIA.

SUGGESTED TEXT FOR PRESCRIPTION

VELTIA or similar vertical soap dispenser made in AISI 304 stainless steel. Dimensions: 210 high x 121 wide x 70 deep mm. (with valve: 130 mm deep).

TECHNICAL DRAWING



Related Products



03002.W

03105

03025.S

03020

03101

03202.S