

#### Stainless Steel Soap Dispenser

- Vertical liquid soap dispenser for hang on wall.
- Pushing button.
- Designed for high traffic people use, specially public bathrooms.
- Antivandalic and strong.
- Stainless steel polished finish. Also available in satin finish (VELTIA 03004.S) and white epoxy finish (VELTIA 03004.W).



The picture belongs to VELTIA 03004.S

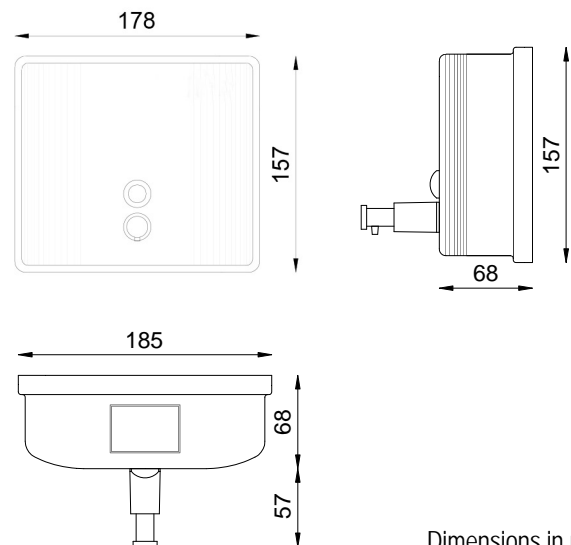
#### TECHNICAL DATA

- Made in AISI 304 stainless steel AISI 304, 1 mm thickness, in one piece.
- In the upper part is located the refilling door which opens with a special anti vandal key.
- Assembling: 3 assembling points completely hidden.
- Delivered with a special key and 3 mm screws.
- Brass chromed pushing button.
- Anti vandal polycarbonate soap level viewer.
- ABS chromed valve.
- Dimensions: 157 high x 178 wide x 68 deep mm.
- Maximum dimensions (with valve): 157 high x 178 wide x 125 deep mm.
- Recommended distance to install from counter: 120 – 200 mm.
- Capacity: 1,4 liters.
- Designed for all kind of soaps (except surgical).
- Maintenance: stainless steel requires maintenance, after some time dust may damage the stainless steel chrome. We recommend a regular clearing with a specific stainless steel cleaner provided by VELTIA.

#### SUGGESTED TEXT FOR PRESCRIPTION

VELTIA or similar vertical soap dispenser made in AISI 304 stainless steel, for hang on wall. Dimensions: 157 high x 178 wide x 68 deep mm. (with valve: 125 mm deep).

#### TECHNICAL DRAWING



Dimensions in mm.



Related Products



03002.W



03105



03025.S



03020



03101



03202.S