

Stainless Steel Soap Dispenser

- Vertical liquid soap dispenser for hang on wall.
- Pushing button.
- Designed for high traffic people use, specially public bathrooms.
- Antivandalic and strong.
- Stainless steel white epoxy finish. Also available in satin finish (VELTIA 0004.S) and polished finish (VELTIA 03004.B).



The picture belongs to VELTIA 03004.S

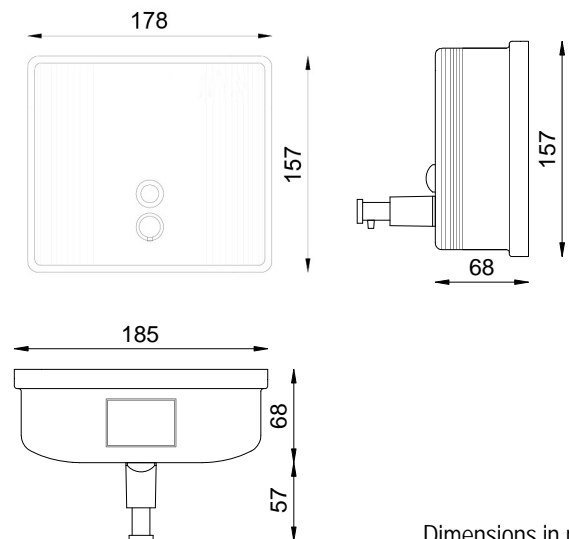
TECHNICAL DATA

- Made in AISI 304 stainless steel AISI 304, 1 mm thickness, in one piece.
- In the upper part is located the refilling door which opens with a special anti vandal key.
- Assembling: 3 assembling points completely hidden.
- Delivered with a special key and 3 mm screws.
- Brass chromed pushing button.
- Anti vandal polycarbonate soap level viewer.
- ABS chromed valve.
- Dimensions: 157 high x 178 wide x 68 deep mm.
- Maximum dimensions (with valve): 157 high x 178 wide x 125 deep mm.
- Recommended distance to install from counter: 120 – 200 mm.
- Capacity: 1,4 liters.
- Designed for all kind of soaps (except surgical).
- Maintenance: stainless steel requires maintenance, after some time dust may damage the stainless steel chrome. We recommend a regular clearing with a specific stainless steel cleaner provided by VELTIA.

SUGGESTED TEXT FOR PRESCRIPTION

VELTIA or similar vertical soap dispenser made in AISI 304 stainless steel, for hang on wall. Dime deep).

TECHNICAL DRAWING



Dimensions in mm.



Related Products



03002.W



03105



03025.S



03020



03101



03202.S