

Toilet roll paper dispenser

- Wall mounted toilet roll paper dispenser.
- Frontal opening.
- Durability and resistance against rust.
- Frontal inspection slot to indicate refill level.
- Security lock with key included.
- Made in stainless steel polished finish. Also available satin finish (VELTIA 05001.S) and white epoxy finish (VELTIA 05001.W).

TECHNICAL DATA AND COMPONENTS

- Made in stainless steel.
- Dimensions: 260 high x 250 wide x 112 deep mm.
- Refilling: paper rolls 250m / 300 m. Maximum paper diameter 23 cm.
- Consumable: VELTIA 06001 and 06001.E.
- Maintenance: stainless steel requires maintenance, after some time dust may damage the stainless steel chrome. We recommend a regular cleaning with our specific stainless steel cleaner.

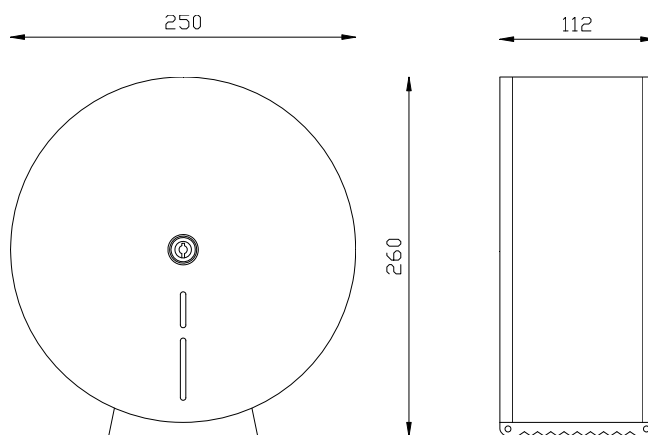


The picture belongs to VELTIA 05001.S

SUGGESTED TEXT FOR PRESCRIPTION

VELTIA or similar industrial stainless steel toilet paper roll dispenser. Wall mounting. Designed for industrial roll paper 250-300 m, with refill inspection slot and security key. high x 250 wide x 112 deep mm.

TECHNICAL DRAWING



Dimensions in mm



Related Products



05015.S



05101.B



05028.T



05107.B



05005



05030.S