

Toilet roll paper dispenser

- Wall mounted toilet roll paper dispenser.
- Frontal opening.
- Durability and resistance against rust.
- Frontal inspection slot to indicate refill level.
- Security lock with key included.
- Made in stainless steel satin finish. Also available polished finish (VELTIA 05001.B) and white epoxy finish (VELTIA 05001.W).



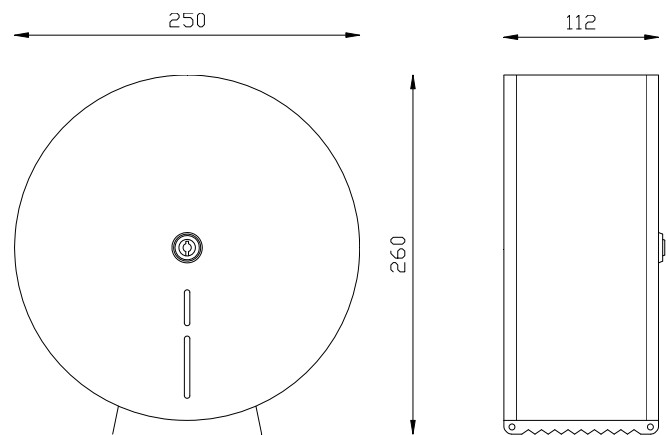
TECHNICAL DATA AND COMPONENTS

- Made in stainless steel.
- Dimensions: 260 high x 250 wide x 112 deep mm.
- Refilling: paper rolls 250m / 300 m. Maximum paper diameter 23 cm.
- Consumable: VELTIA 06001 and 06001.E.
- Maintenance: stainless steel requires maintenance, after some time dust may damage the stainless steel chrome. We recommend a regular cleaning with our specific stainless steel cleaner.

SUGGESTED TEXT FOR PRESCRIPTION

VELTIA or similar industrial stainless steel toilet paper roll dispenser. Wall mounting. Designed for industrial roll paper 250-300 m, with refill inspection slot and security key. high x 250 wide x 112 deep mm.

TECHNICAL DRAWING



Dimensions in mm



Related Products



05015.S



05101.B



05028.T



05107.B



05005



05030.S