

# veltia®

New Generation Hand Dryers

BIN

CODE 14073.S

## High capacity bin

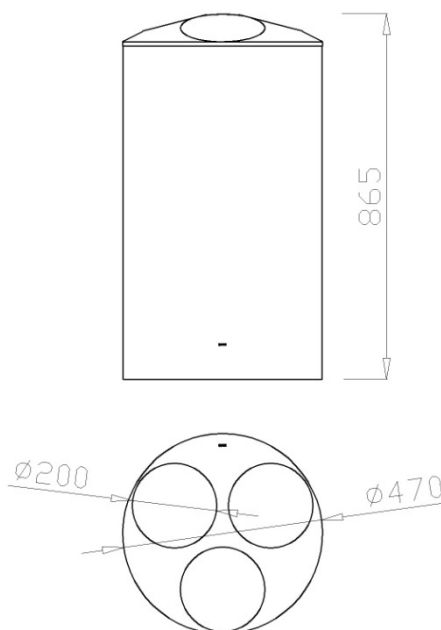
- High capacity bin in AISI 304 stainless steel.
- Special design for recycling. Lid with preselection and three separated containers inside.
- Resistance and durability.
- Body satin finished and polished lid.



## TECHNICAL DATA

- Body in AISI 304 stainless steel satin finish, 1 mm thick.
- Lid in AISI 304 stainless steel polish finish, 1 mm thick. Includes three openings Ø200 mm.
- Inner containers in galvanized steel epoxy painted, 0,6 mm thick.
- Base in thermoplastic material.
- Total capacity: 150 liters.
- Dimensions: 865 high, Ø 470 mm.
- Maintenance: Stainless steel needs maintenance because dust can eventually damage the chrome in stainless steel. We recommend monthly cleaning with our special product.

## TECHNICAL DRAWING



Dimensions in mm

## SUGGESTED TEXT FOR PRESCRIPTION

High capacity bin VELTIA or similar, in AISI 304 stainless steel. Includes lid with preselection and three inner containers for recycling. Total capacity: 150 liters. Dimensions: 865 high, Ø 470 mm.



Related Products



14071.S



14096.B



14073.SC.S



14025



14098.B



14077.W