

**Hair dryer to fix to wall**



- Hot-air professional hair dryer.
- Support fixed to wall.
- Two selectors to adjust the flow and temperature of air output with 2 positions each.
- Suitable for hotels.
- Operation: Continuous pressure switch.
- Fixing materials included.

**TECHNICAL DATA**

- Support made of black ABS, and chrome plated steel.
- Maximum dimensions: 220 high x 245 wide x 118 deep mm. Spiral cable length: 450-1000 mm.
- Weight: 0,9 Kg.
- Net voltage: 220-240 V / 50-60 Hz.
- Total power: 1600 W.
- Resistor power: 1450 W.
- AC motor: 150 W and 22500 RPM.
- Electrical isolation: Class II. Protection rate: IP20.
- Airflow: 82 m<sup>3</sup>/h.
- Sound pressure: 62 dBA.
- Air temperature at 10 cm: 59°C.

**SUGGESTED TEXT FOR PRESCRIPTION**

Hot-air professional hair dryer VELTIA or similar, to fix to wall. Equipped with two selectors to adjust the flow and the temperature of air output. Total power: 1600 W. Maximum dimensions: 220 high x 245 wide x 118 deep mm.



Related Products



02055.W



02055.G



02059



02063

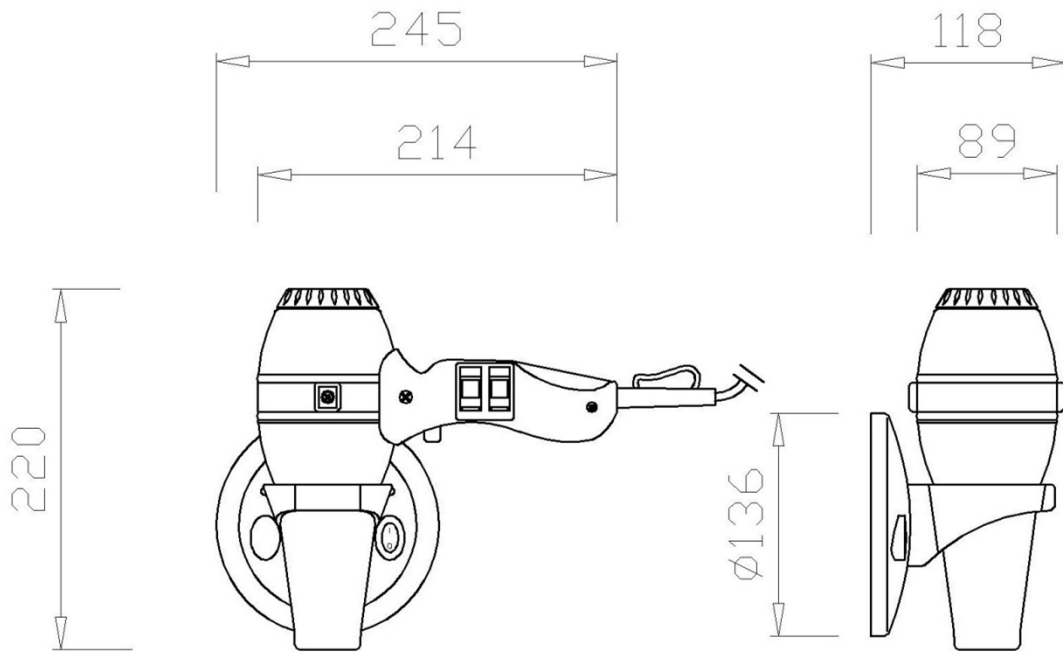


02200.S



02200.W

TECHNICAL DRAWING

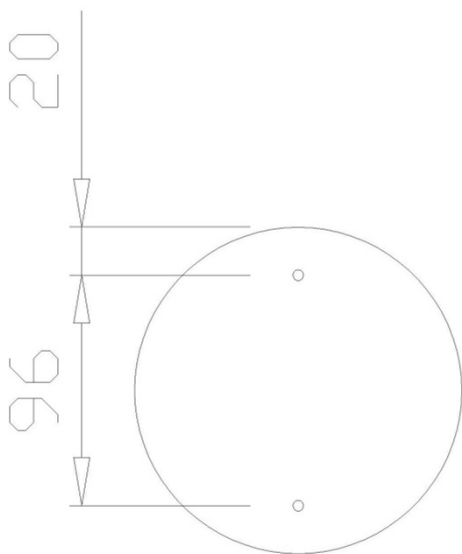


Dimensions in mm

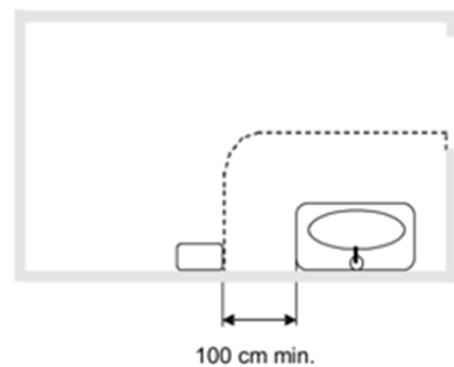
INSTALLATION

To install the hair dryer, place the ring base at the desired position. Using it like a template, mark the position of the holes and make them through a 6 mm drill. Insert the dowels into the holes, place the base in right position and screw the supplied screws. Fit the vandal-proof plastic caps in the ring base holes (figure 2). Plug the appliance to the electric network. From that moment, the hair dryer can stay in the ring provided for that purpose and is ready for use.

Installation should be as shown in fig-0. The recommended height is 130-150 cm to floor, or 110 for adapted toilets.



Ring base dimensions in mm



100 cm min.

