

# veltia®

New Generation Hand Dryers

SWING-UP GRAB BAR

CODE 15051.80.S

Swing-up grab bar

- Wall mounted swing-up grab bar.
- Suitable for support next to wash basins, toilets, showers and bathtubs.
- Specially designed for accessible environment.
- Stainless steel satin finished.



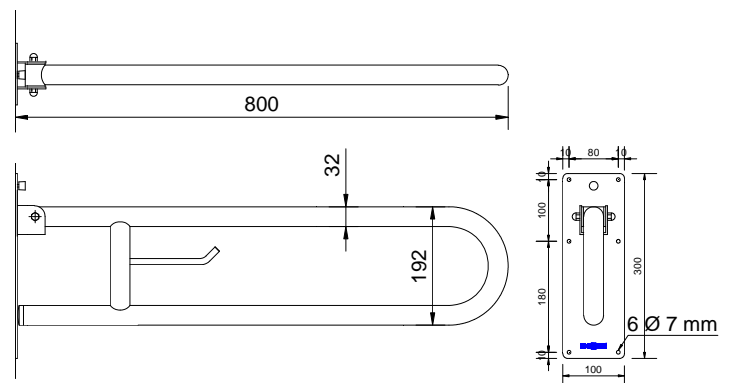
#### TECHNICAL DATA

- Made in AISI 304 stainless steel.
- Length: 800 mm.
- Wall fixing flange dimension: 300 x 100 mm.
- Bars Ø 32 mm.
- With brake and paper holder.
- Recommended installation high: 70 - 75 cm from top bar to finished floor.
- Stainless steel fixations included.
- Non conductive kit included.

#### SUGGESTED TEXT FOR PRESCRIPTION

Swing-up grab bar VELTIA or similar, in AISI 304 stainless steel satin finished. With brake and paper holder. Length: 800 mm, bars Ø 32 mm.

#### TECHNICAL DRAWING



Dimensions in mm



Related Products



15206.S



15064.S



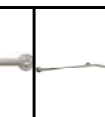
15047.W



15203.B



15054.60.S



15052.S