

Fixed grab bar

- Straight grab bar with 90° angle.
 - Three anchor points.
 - Suitable for accesible toilets, wc, showers and baths.
- Stainless steel satin finish. Also available in polish finish (VELTIA 155060.B) and white Nylon finished (VELTIA 15060.W).
- Reversible position: left and right.



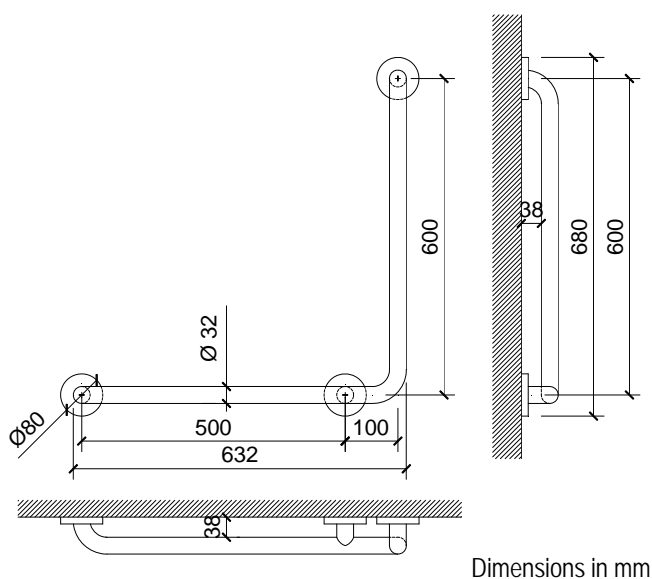
TECHNICAL DATA

- Made of AISI 304 stainless steel.
- Dimensions: 600 mm horizontal arm, 600 mm vertical arm, bar Ø 32 mm, 1,5 mm thick.
- Maintenance: stainless steel needs maintenance because dust can eventually damage the chrome in stainless steel. We recommend monthly cleaning with our special product.
- Includes mounting components.

SUGGESTED TEXT FOR PRESCRIPTION

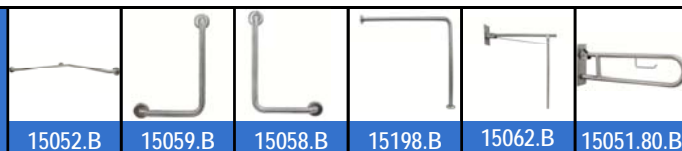
VELTIA or similar fixed grab bar, made in AISI 304 satin finish stainless steel. Reversible position: left and right. Dimensions: 600 mm horizontal arm, 600 mm vertical arm, Ø bar 32 mm, 1,5 mm thick.

TECHNICAL DRAWING



Related

Products



15052.B

15059.B

15058.B

15198.B

15062.B

15051.80.B