

# veltia®

New Generation Hand Dryers

GRAB BAR

CODE 15060.W

Fixed grab bar

- Straight grab bar with 90° angle.
  - Three anchor points.
  - Suitable for accessible toilets, wc, showers and baths.
- Stainless steel white Nylon finish. Also available in polish finish (VELTIA 155060.B) and satin finish (VELTIA 15060.S).
- Reversible position: left and right.



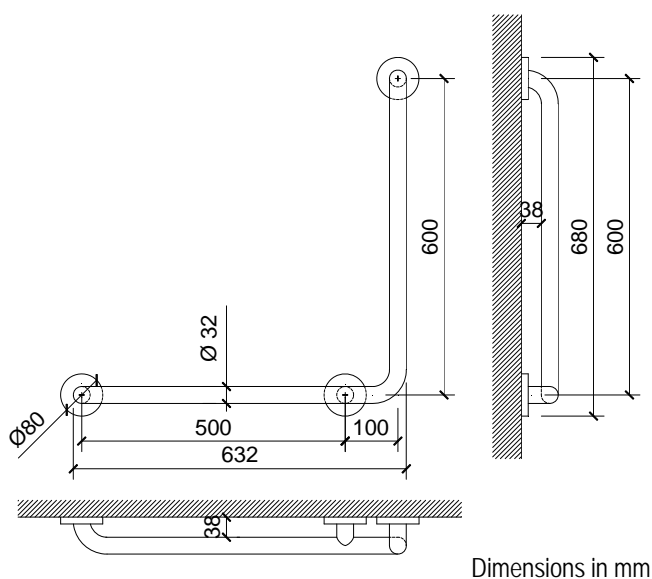
#### TECHNICAL DATA

- Made of AISI 304 stainless steel.
- Dimensions: 600 mm horizontal arm, 600 mm vertical arm, bar Ø 32 mm, 1,5 mm thick.
- Maintenance: stainless steel needs maintenance because dust can eventually damage the chrome in stainless steel. We recommend monthly cleaning with our special product.
- Includes mounting components.

#### SUGGESTED TEXT FOR PRESCRIPTION

VELTIA or similar fixed grab bar, made in AISI 304 stainless steel, white Nylon finished. Reversible position: left and right.  
Dimensions: 600 mm horizontal arm, 600 mm vertical arm, Ø bar 32 mm, 1,5 mm thick.

#### TECHNICAL DRAWING



Dimensions in mm



Related

Products

15052.B

15059.B

15058.B

15198.B

15062.B

15051.80.B