

#### Soap Dispenser

- Horizontal liquid soap dispenser for hang on wall.
- Pushing button
- Designed for high traffic people use, specially public bathrooms
- Anti vandal and strong
- Polish finished stainless steel



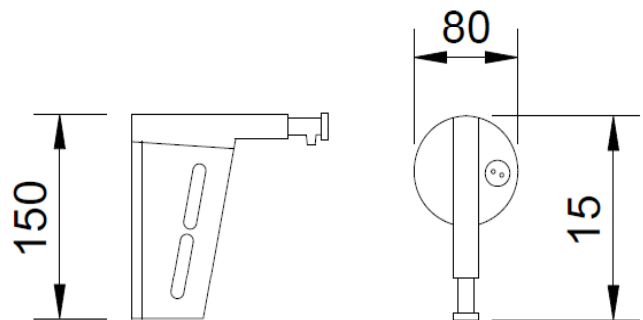
#### TECHNICAL DATA

- Made in Stainless Steel AISI 304.
- Manual push button.
- Lateral soap level viewer .
- Transparent plastic tank inside.
- Refill cap on top including a special key.
- Equipped with wall fixing materials.
- Dimensions: 150 high x 80 wide x 150 deep mm.
- Recommended distance to install from counter: 120 – 200 mm.
- Capacity: 360 ml.
- Designed for all kind of soaps (except surgical).
- Maintenance: stainless steel requires maintenance, after some time dust may damage the stainless steel chrome. We recommend a regular clearing with an specific stainless steel cleaner.

#### SUGGESTED TEXT FOR PRESCRIPTION

VELTIA soap dispenser code 3003 or similar made in AISI 304 Stainless Steel to fix to wall . Dimensions: 150 high x 80 wide x 150 deep mm. Capacity: 360 ml.

#### TECHNICAL DRAWING



Dimensions in mm.



Related Products



03001.B



03028.B



03025



03020



03101



03002.B