

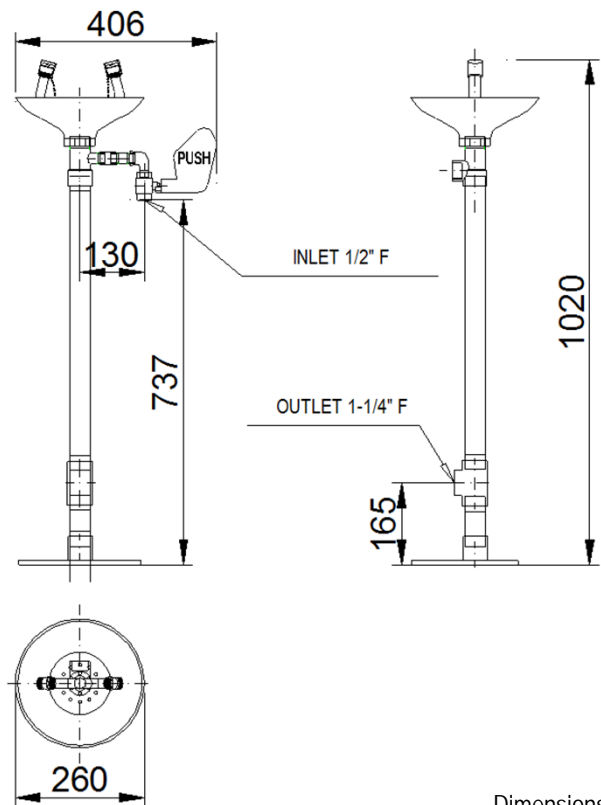
Pedestal emergency eyewash

- Floor emergency eyewash equipment.
- High water flow and low water pressure with total way out valve.
- Instant automatic opening and closing activated by lateral lever.
- Double aerated jet with dust cover.
- Green color RAL 6029.
- Suitable for industries, laboratories and generally where there is risk of personal damages from fire, acids, chemical reactants, petroleum products, radioactive materials or other contaminants.
- CE conformity.

TECHNICAL DATA

- Eyewash basin and double arms in green polypropylene.
- Manufactured in zinc galvanized steel covered in epoxy paint.
- Connecting parts in brass.
- Water pressure, minimum 1.5 – maximum 5 bar.
- Water inlet dimension: 1/2".
- Outlet dimension: 1+1/4".
- Dimensions: 1020 high x 406 wide mm. Basin Ø 260 mm.

TECHNICAL DRAWING



Dimensions in mm

SUGGESTED TEXT FOR PRESCRIPTION

NOFER or similar floor emergency eyewash equipment. Instant automatic opening and closing activated by lateral lever. Manufactured in zinc galvanized steel covered in epoxy paint. Eyewash basin and arms made of green polypropylene. Dimensions: 1020 high x 406 wide mm. Basin Ø 260 mm.



Related Products



SC700



SC710



SC380



SC820



SC800



SC730