



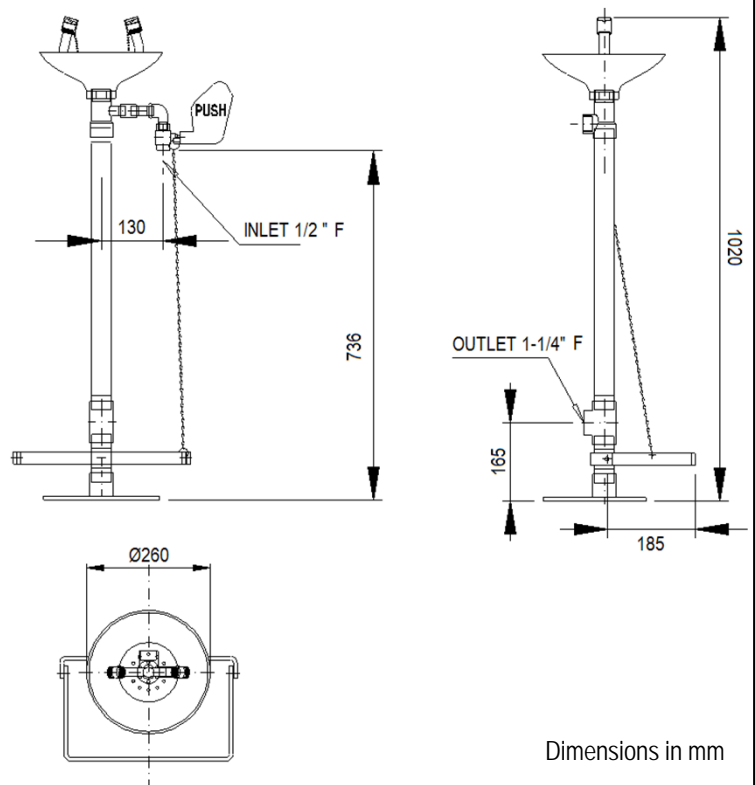
Pedestal emergency eyewash

- Floor emergency eyewash.
- High water flow and low water pressure with total way out valve.
- Instant automatic opening activated by lateral lever or foot pedal.
- Double aerated jet with dust cover.
- Green color RAL 6029.
- Suitable for industries, laboratories and generally where there is risk of personal damages from fire, acids, chemical reactants, petroleum products, radioactive materials or other contaminants.
- CE conformity.

TECHNICAL DATA

- Eyewash basin made of green polypropylene.
- Manufactured in zinc galvanized steel covered with epoxy paint.
- Connecting parts in brass.
- Water pressure, minimum 0,2 MPa – maximum 0,5 MPa.
- Water flow: 14 l/min ± 10% .
- Water inlet dimension: 1/2".
- Outlet dimension: 1+1/4".
- Dimensions: 1020 mm high, basin Ø 260 mm.

TECHNICAL DRAWING



Dimensions in mm

SUGGESTED TEXT FOR PRESCRIPTION

NOFER or similar floor emergency eyewash. Instant automatic opening activated by lateral lever or foot pedal. Manufactured in zinc galvanized steel covered with green epoxy paint. Eyewash basin made of green polypropylene. Dimensions: 1020 mm high, basin Ø 260 mm.



Related Products



SC700



SC710



SC380SS



SC820



SC800



SC730