

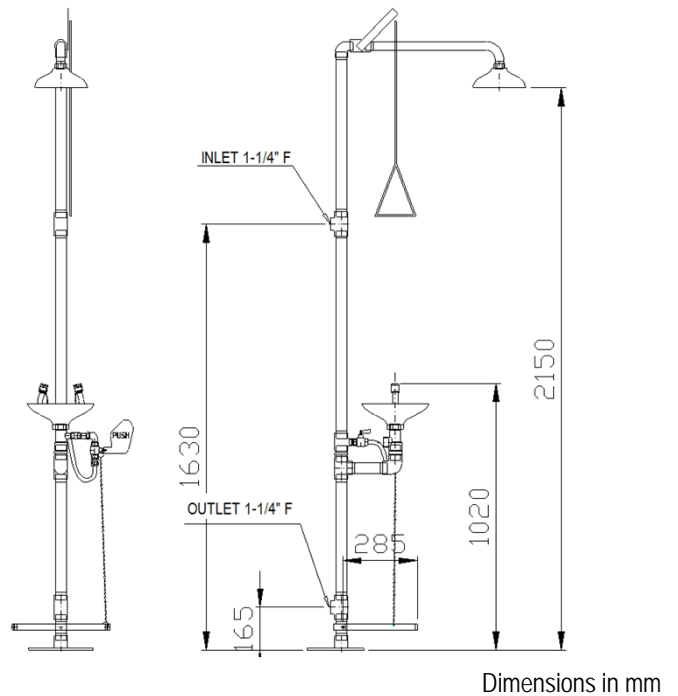
**Emergency shower and eyewash with double activation**

- Total way out valve shower, manual and instant opening.
- Emergency eyewash with high flow at low pressure.
- Emergency shower activated through rigid lever with triangle handle.
- Emergency eyewash activated through side lever or foot pedal.
- Double aerated jet with dust cover.
- Color green RAL 6029.
- Suitable for industries, laboratories and generally where there is risk of personal damages from fire, acids, chemical reactants, petroleum products, radioactive materials or other contaminants.
- CE conformity.

**TECHNICAL DATA**

- Shower head and eyewash bowl made of stainless steel.
- Manufactured body made of galvanized zinc steel with epoxy paint.
- Connecting parts made of brass.
- Min. required water flow: 6 liters / minute (2 bar).
- Eyewash flow: 14 liters / minute ± 10%.
- Emergency shower flow: 120 liters / minute (3 bar).
- Water inlet: 1+1/4" thread.
- Water outlet: 1+1/4" thread.

**TECHNICAL DRAWING**



**SUGGESTED TEXT FOR PRESCRIPTION**

NOFER or similar emergency shower and emergency eyewash. Total way out valve shower, manual opening by rigid lever with triangle handle and eyewash with high flow at low pressure activated by lateral lever or foot pedal. Body made of zinc galvanized steel and covered with epoxy paint. Shower head and eyewash bowl made stainless steel. Eyewash flow: 14 l/min±10%. Shower flow: 120 l/min.



Related Products



SC700



SC710



SC380



SC820



SC800



SC730