

Liquid soap dispenser



- Automatic powered soap dispenser with infrared sensor for wall installation.
- Suitable for soap and foam soap with pump (VELTIA 03038.FP) not included.
- ABS housing white finish. Also available in satin finish (VELTIA 03039.S), gloss finish (VELTIA 03039.B), black finish (VELTIA 03039.N) and other colors.
- With content viewer and security lock.
- Suitable for public places of high frequency of use.
- Led shows that indicates when batteries replaced.
- Suitable for alcohol-based disinfectants.

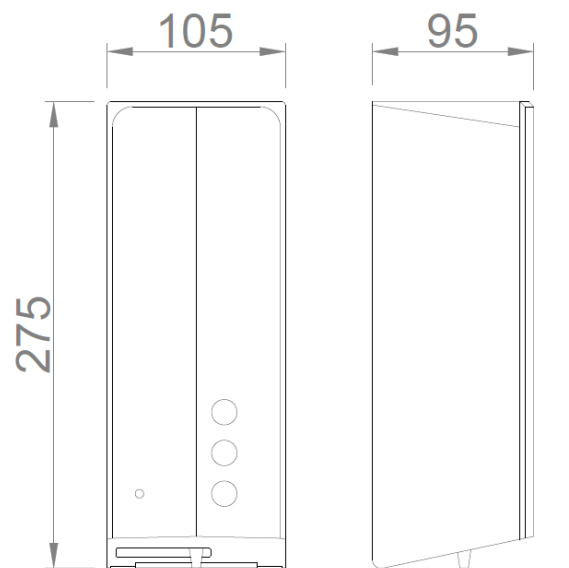
TECHNICAL DATA

- Made of ABS white finish.
- Electronic infrared sensor that stops the dispenser when the hands are removed from the detection field.
- Capacity: 1000 ml. Refillable.
- Works with 6 batteries of 1,5 V.
- Dimensions: 275 height x 105 width x 95 depth (mm).
- Operation: place your hands under the dispenser. This is activated automatically, remaining in operation while the hands are inside the sensor field. The dispenser goes off when you remove your hands.

SUGGESTED TEXT FOR PRESCRIPTION

Automatic powered soap dispenser VELTIA with activation by infrared sensor, made of ABS white finish. To fix to the wall with content viewer and security lock. Dimensions: 275 height x 105 width x 95 depth (mm).

TECHNICAL DRAWING



DIMENSIONS IN mm



www.veltia.com

Related Products



01911.B



03008.W



03025.S



03022.S



03201.S



03001.S